

DC123: Directional Coupler for R-32 Waveguide

General description

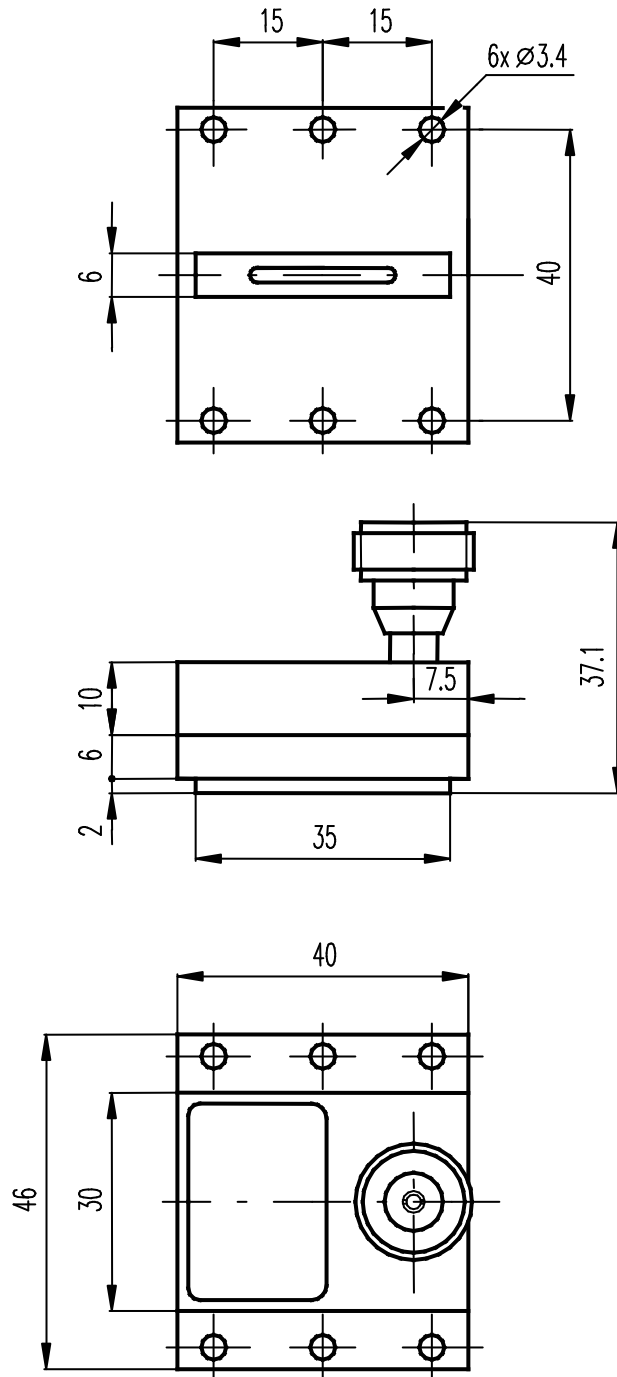
DC123 is a miniature directional coupler intended for sampling incident or reflected waves in high-power 2450 MHz industrial applications using R-32 rectangular waveguide. The coupler is fixed to the waveguide with six M3 or similar-diameter screws after machining of appropriate holes in the broad waveguide wall. Simple reversing the coupler causes it to sample the wave propagating in the opposite direction.



Specifications

Frequency range	2425 – 2475 MHz
Coupling factor	-60 dB \pm 1 dB
Directivity	25 dB min
Output connector	N-F (SMA-F available upon request)
VSWR (N, SMA)	1.25 max
Waveguide of destination	R-32 (72.14 mm x 34.04 mm, wall thickness 2 mm)

Dimensional drawing - N type connector (all units in millimeters)



Dimensional drawing - SMA type connector (all units in millimeters)

