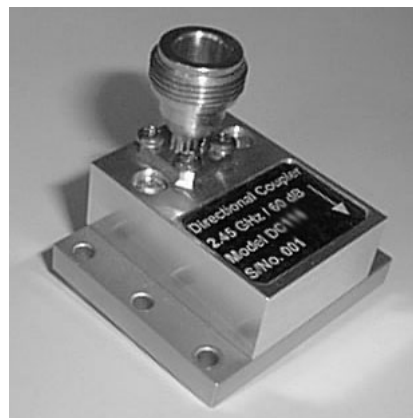


## DC132: Directional Coupler for R-22 Waveguide

### General description

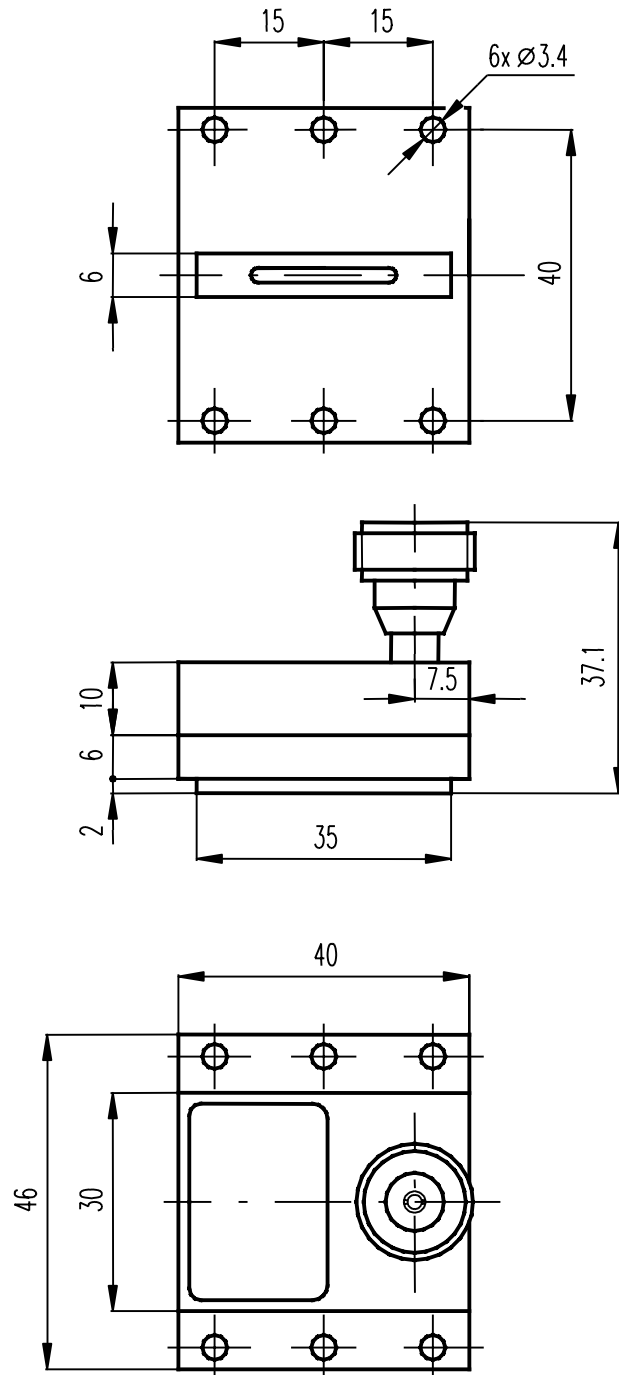
DC132 is a miniature directional coupler intended for sampling incident or reflected waves in high-power 2450 MHz industrial applications using R-22 rectangular waveguide. The coupler is fixed to the waveguide with six M3 or similar-diameter screws after machining of appropriate holes in the broad waveguide wall. Simple reversing the coupler causes it to sample the wave propagating in the opposite direction.



### Specifications

Frequency range	2425 – 2475 MHz
Coupling factor	-60 dB $\pm$ 1 dB
Directivity	25 dB min
Output connector	N-F (SMA-F available upon request)
VSWR (N, SMA)	1.25 max
Waveguide of destination	R-22 (109.22 mm x 54.61 mm, wall thickness 2 mm)

## Dimensional drawing - N type connector (all units in millimeters)



## Dimensional drawing - SMA type connector (all units in millimeters)

