

DC151: Directional Coupler for Coaxial Waveguide 8/26

General description

DC151 is a directional coupler intended for sampling incident or reflected waves in high-power 2450 MHz industrial applications using 8/26 mm coaxial waveguide. The coupler is fixed to the waveguide with six M3 or similar-diameter screws after machining of appropriate holes in the special waveguide part with platform. Simple reversing the coupler causes it to sample the wave propagating in the opposite direction.

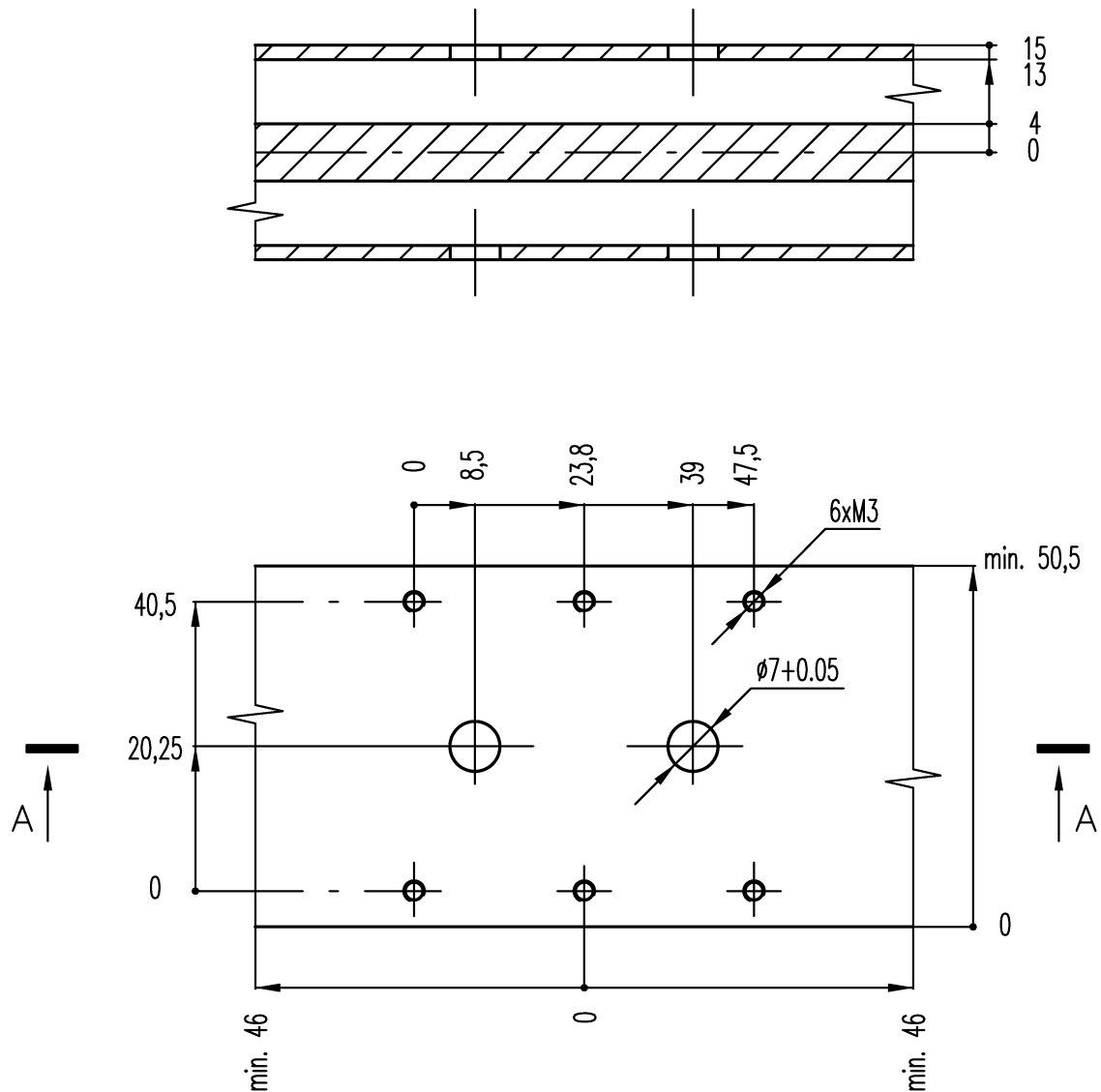


Specifications

| | |
|--------------------------|---|
| Frequency range | 2425 - 2475 MHz |
| Coupling factor | -60 dB \pm 1 dB standard (lower coupling factors available upon request) |
| Directivity | 25 dB min. |
| Output connector | N-F (SMA-F available upon request) |
| VSWR (SMA) | 1.25 max. |
| Waveguide of destination | Coaxial (inner diameter 8 mm / outer diameter 26 mm) |

Drilling template

A-A



Drilling template for DC 151/ DD151 mounted
 on the coaxial transmission line 8 / 26
 Suggested screws: M3x14 (stainless or galvanized steel)
 All dimensions are in millimeters

Dimensional drawing – N-F type connector (all units in millimeters)

