

WTB291: Adapter from R9 Waveguide to 3 1/8" EIA Coaxial Line

Description

WTB291 (Fig. 1) is a precision milled, robust, medium-power, crossbar-type adapter between R9 (WR975) waveguide and 3 1/8" EIA Coaxial Line. The adapter enables feeding of waveguide industrial systems from coaxial-output generators, such as solid-state sources. Another possible application is in low-power ("cold") measurement of waveguide installations using conventional vector network analyzers. This is useful in particular in the development phases of systems.

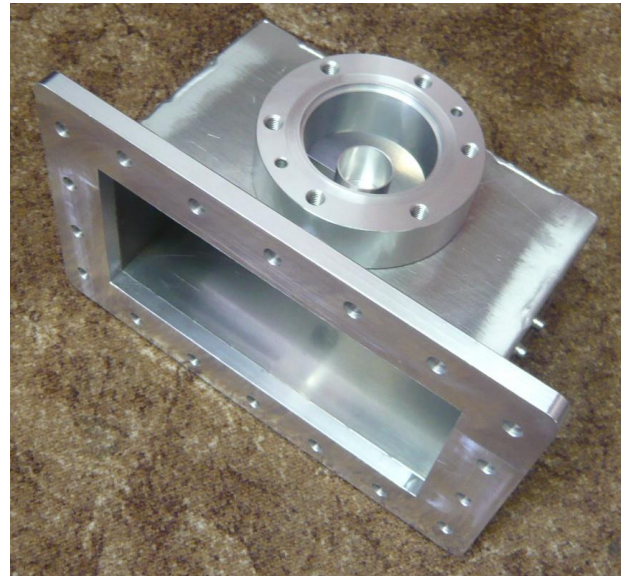


Fig. 1. WTB291 waveguide-to-coax adapter.

Specifications

Frequency range	896 – 922 MHz
Port 1 waveguide type	R9 (WR975)
Port 2 coaxial type	3 1/8" EIA (33.35 mm / 76.80 mm)
Transition type	Crossbar
Return loss	> 25 dB
Peak working power	20 kW
Dimensions (L x W x H)	162.6 x 336.6 x 212.8 mm
Mass	4.9 kg
Operating temperature range	-10 °C to +65 °C
Storage temperature range	-20 °C to +80 °C

Dimensional Drawing

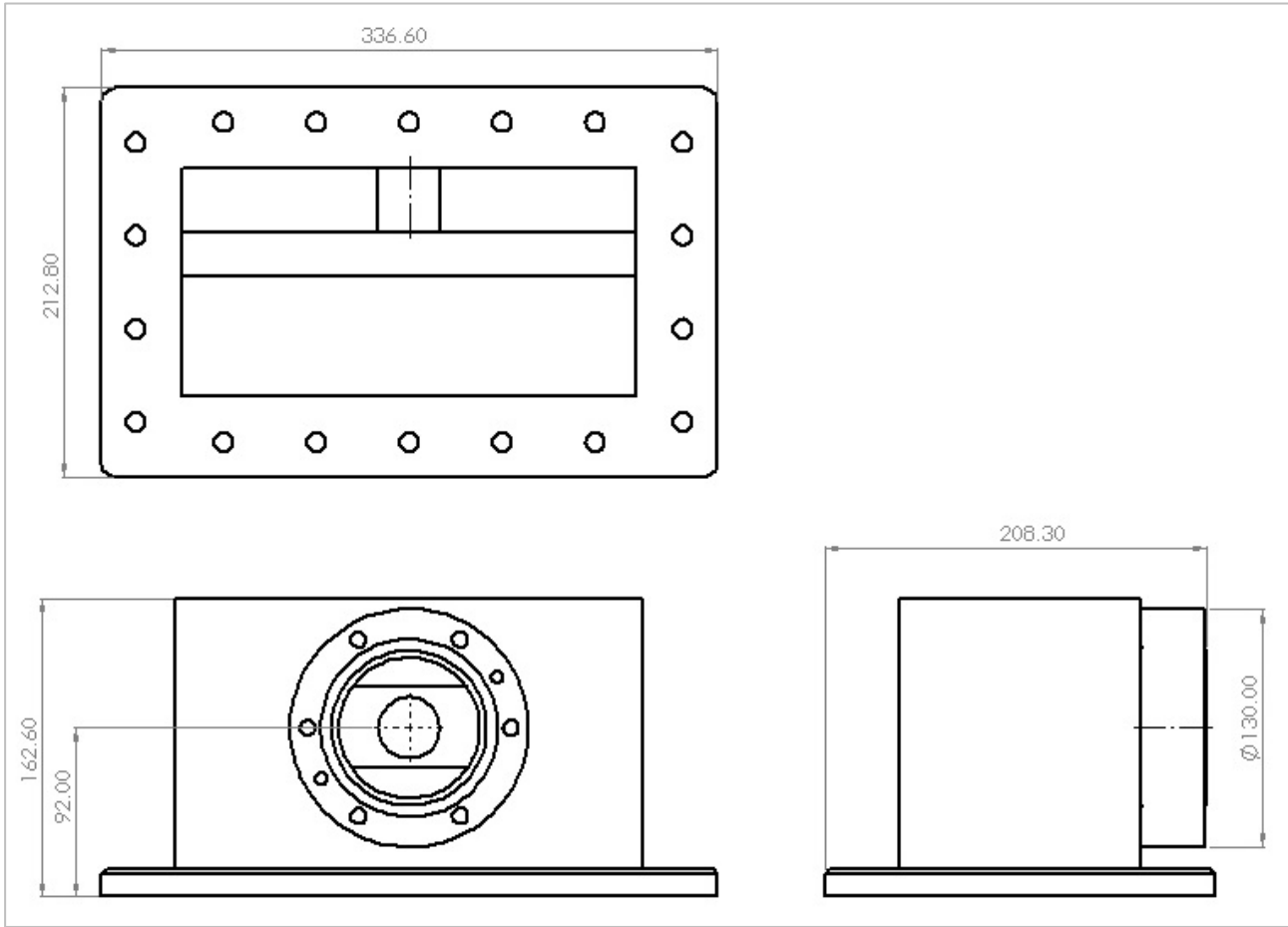


Fig. 2. Basic WTB291 dimensions (in millimeters).